

6

5

4

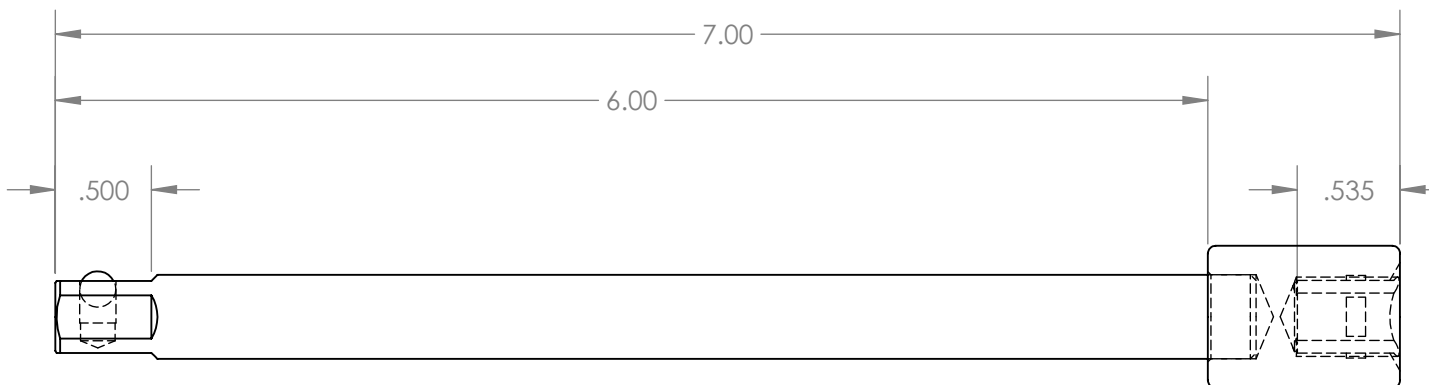
3

2

1

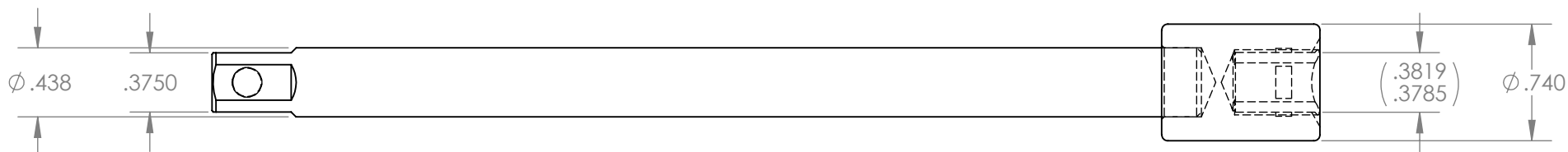
D

D



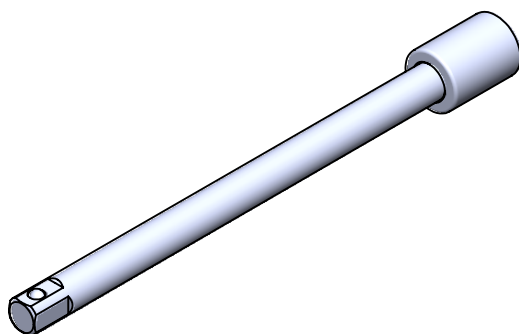
C

C



B

B



UNLESS OTHERWISE SPECIFIED:  
DIMENSIONS ARE IN INCHES

TOLERANCES:  
X.XX= +/- 0.250  
X.XXX= +/- 0.015  
X.XXXX= - 0.0015

**STERITOOL™**  
The Global Source for Stainless Steel Tools

	NAME	SIGNATURE	DATE
DRAWN	A.T.		10.10.18
CHCK'D			
APPV'D			
Q.A			

MATERIAL:  
17-4 MAGNETIC S.S.

TITLE:  
3/8" SQUARE DRIVE EXTENSION X 6.00"  
OAL

THIS DRAWING IS THE PROPERTY OF STERITOOL, INC. ANY REPRODUCTIONS OR MODIFICATIONS OF THIS DRAWING OR ITS CONTENTS WITHOUT THE CONSENT OF STERITOOL, INC. IS PROHIBITED.

PART NO.  
10594

REVISION: A

SCALE: NOT TO SCALE

SHEET 1 OF 1

6

5

4

3

2

1

A

A